



## Display Freezer

Model FR-CN-0105, 0105B, 0098NB, 0098  
Items 47241, 47242, 47239, 44526

## Instruction Manual



Revised - 02/08/2023



Toll Free: 1-800-465-0234  
Fax: 905-607-0234  
Email: [service@omcan.com](mailto:service@omcan.com)  
[www.omcan.com](http://www.omcan.com)



# ***Table of Contents***

Model FR-CN-0105 / Model FR-CN-0105B  
Model FR-CN-0098NB / Model FR-CN-0098

---

<b>Section</b>	<b>Page</b>
Disclaimer -----	3
General Information -----	4 - 5
Safety and Warranty -----	5 - 6
Technical Specifications -----	7
Installation -----	7 - 8
Operation -----	8
Maintenance -----	9
Troubleshooting -----	9 - 10
Parts Breakdown -----	11 - 16
Electrical Schematics -----	17 - 20
Notes -----	21 - 22
Warranty Registration -----	23

## ***Disclaimer***

---

***OMCAN IS NOT RESPONSIBLE FOR ANY DAMAGES DUE TO WATER LEAKS. WARRANTY FOR WATER LEAKS IS VOID IF THE AMBIENT ROOM TEMPERATURE EXCEEDS 75°F AND 55% RELATIVE HUMIDITY, AND THE APPLIANCE DRAIN IS NOT CONNECTED DIRECTLY TO A FLOOR DRAIN.***

---

***OMCAN N'EST PAS RESPONSABLE DES DOMMAGES DUS AUX FUITES D'EAU. LA GARANTIE POUR LES FUITES D'EAU EST ANNULÉE SI LA TEMPÉRATURE AMBIANTE DE LA PIÈCE DÉPASSE 75°F ET 55% D'HUMIDITÉ RELATIVE, ET SI LE DRAIN DE L'APPAREIL N'EST PAS RACCORDÉ DIRECTEMENT À UN DRAIN DE PLANCHER.***

---

***OMCAN NO SE HACE RESPONSABLE DE LOS DAÑOS CAUSADOS POR FUGAS DE AGUA. LA GARANTÍA POR FUGAS DE AGUA QUEDA ANULADA SI LA TEMPERATURA AMBIENTE SUPERA LOS 75°F Y EL 55% DE HUMEDAD RELATIVA, Y EL DESAGÜE DEL APARATO NO ESTÁ CONECTADO DIRECTAMENTE A UN DESAGÜE DE PISO.***

# ***General Information***

---

**Omcan Manufacturing and Distributing Company Inc., Food Machinery of America, Inc. dba Omcan and Omcan Inc. are not responsible for any harm or injury caused due to any person's improper or negligent use of this equipment. The product shall only be operated by someone over the age of 18, of sound mind, and not under the influence of any drugs or alcohol, who has been trained in the correct operation of this machine, and is wearing authorized, proper safety clothing. Any modification to the machine voids any warranty, and may cause harm to individuals using the machine or in the vicinity of the machine while in operation.**

## **CHECK PACKAGE UPON ARRIVAL**

Upon receipt of an Omcan shipment please inspect for external damage. If no damage is evident on the external packaging, open carton to ensure all ordered items are within the box, and there is no concealed damage to the machine. If the package has suffered rough handling, bumps or damage (visible or concealed), please note it on the bill of lading before accepting the delivery and contact Omcan within 24 hours, so we may initiate a claim with the carrier. A detailed report on the extent of the damage caused to the machine must be filled out within three days, from the delivery date shown in the shipping documents. Omcan has no recourse for damaged products that were shipped collect or third party.

**Before operating any equipment, always read and familiarize yourself with all operation and safety instructions.**

**Omcan would like to thank you for purchasing this machine. It's of the utmost importance to save these instructions for future reference. Also save the original box and packaging for shipping the equipment if servicing or returning of the machine is required.**

---

**Omcan Fabrication et distribution Compagnie Limitée et Food Machinery d'Amérique, dba Omcan et Omcan Inc. ne sont pas responsables de tout dommage ou blessure causé du fait que toute personne ait utilisé cet équipement de façon irrégulière. Le produit ne doit être exploité que par quelqu'un de plus de 18 ans, sain d'esprit, et pas sous l'influence d'une drogue ou d'alcool, qui a été formé pour utiliser cette machine correctement, et est vêtu de vêtements de sécurité appropriés. Toute modification de la machine annule toute garantie, et peut causer un préjudice à des personnes utilisant la machine ou des personnes à proximité de la machine pendant son fonctionnement.**

## **VÉRIFIEZ LE COLIS DÈS RÉCEPTION**

Dès réception d'une expédition d'Omcan veuillez inspecter pour dommages externes. Si aucun dommage n'est visible sur l'emballage externe, ouvrez le carton afin de s'assurer que tous les éléments commandés sont dans la boîte, et il n'y a aucun dommage dissimulé à la machine. Si le colis n'a subi aucune mauvaises manipulations, de bosses ou de dommages (visible ou cachée), notez-le sur le bond de livraison avant d'accepter la livraison et contactez Omcan dans les 24 heures qui suivent, pour que nous puissions engager une réclamation auprès du transporteur. Un rapport détaillé sur l'étendue des dommages causés à la machine doit être rempli dans un délai de trois jours, à compter de la date de livraison indiquée dans les documents d'expédition. Omcan n'a aucun droit de recours pour les produits endommagés qui ont été expédiés ou cueilli par un tiers transporteur.

# General Information

---

Avant d'utiliser n'importe quel équipement, toujours lire et vous familiariser avec toutes les opérations et les consignes de sécurité.

Omcan voudrais vous remercier d'avoir choisi cette machine. Il est primordial de conserver ces instructions pour une référence ultérieure. Également conservez la boîte originale et l'emballage pour l'expédition de l'équipement si l'entretien ou le retour de la machine est nécessaire.

---

Omcan Empresa De Fabricacion Y Distribucion Inc. Y Maquinaria De Alimentos De America, Inc. dba Omcan y Omcan Inc. no son responsables de ningun daño o perjuicio causado por cualquier persona inadecuada o el uso descuidado de este equipo. El producto solo podra ser operado por una persona mayor de 18 años, en su sano juicio y no bajo alguna influencia de droga o alcohol, y que este ha sido entrenado en el correcto funcionamiento de esta máquina, y ésta usando ropa apropiada y autorizada. Cualquier modificación a la máquina anula la garantía y puede causar daños a las personas usando la máquina mientras esta en el funcionamiento.

## REVISE EL PAQUETE A SU LLEGADA

Tras la recepcion de un envio Omcan favor inspeccionar daños externos. Si no hay daños evidentes en el empaque exterior, Habra el carton para asegurarse que todos los articulos solicitados estén dentro de la caja y no encuentre daños ocultos en la máquina. Si el paquete ha sufrido un manejo de poco cuidado, golpes o daños (visible o oculto) por favor anote en la factura antes de aceptar la entrega y contacte Omcan dentro de las 24 horas, de modo que podamos iniciar una reclamación con la compañía. Un informe detallado sobre los daños causados a la máquina debe ser llenado en el plazo de tres días, desde la fecha de entrega que se muestra en los documentos de envío. Omcan no tiene ningun recurso por productos dañados que se enviaron a recoger por terceros.

Antes de utilizar cualquier equipo, siempre lea y familiarizarse con todas las instrucciones de funcionamiento y seguridad.

Omcan le gustaría darle las gracias por la compra de esta máquina. Es de la mayor importancia para salvar estas instrucciones para futuras consultas. Además, guarda la caja original y el embalaje para el envío del equipo si servicio técnico o devolución de la máquina que se requiere.

# Safety and Warranty

---

## SAFETY CAUTIONS

1. This unit uses AC110V/60Hz power, there should be a 500VA stabilizer if the voltage fluctuation exceed AC198V~242V.
2. The user should hold the plug when the power is on/off, dragging or pulling the power cord is prohibited.
3. Do not remove the power cord or plug.
4. Must use dependent socket and reliable ground wire. Ground wire must not connect with the null line of the

# ***Safety and Warranty***

---

gas pipe, warm gas pipe, water pipe and must be single power.

5. Never splash water on the unit directly.
6. Keep away from explosive, hazardous goods such as ether, gas, alcohol, bonding agents, gunpowder etc.
7. Keep away from spray of inflammables such as paints, coating materials etc.
8. After the unit is switched off, it should not be restarted within 5 minutes.
9. Do not leave the power cord under any heavy objects including the unit itself.
10. Do not drill holes or install other objects on the casing.
11. This cooler is not suitable for storage pharmaceutical products.

## **CAUTION**

- The unit is not suitable for storage of blood, pharmaceutical products and biological products
- Do not place heavy articles on the top of the unit.
- In case of trouble, please ask professional person for service, do not dismantle the unit without prior authority to avoid hazard.

**RESIDENTIAL USERS: Vendor assumes no liability for parts or labor coverage for component failure or other damages resulting from installation in non-commercial or residential applications. The right is reserved to deny shipment for residential usage; if this occurs, you will be notified as soon as possible.**

## **1 YEAR PARTS AND LABOUR WARRANTY**

**Within the warranty period, contact Omcan Inc. at 1-800-465-0234 to schedule an Omcan authorized service technician to repair the equipment locally.**

**Unauthorized maintenance will void the warranty. Warranty covers electrical and part failures, not improper use.**

**Please see <https://omcan.com/disclaimer> for complete info.**

## **WARNING:**

The packaging components are classified as normal solid urban waste and can therefore be disposed of without difficulty.

**In any case, for suitable recycling, we suggest disposing of the products separately (differentiated waste) according to the current norms.**

**DO NOT DISCARD ANY PACKAGING MATERIALS IN THE ENVIRONMENT!**

# Technical Specifications

Model	FR-CN-0105	FR-CN-0105B	FR-CN-0098NB	FR-CN-0098
Capacity	105 L / 3.7 cu.ft.		98 L / 3.46 cu. ft.	
Power	180 W	158 W		
Power Consumption	2.3 kW/h	3.3 kW/h		
Temperature Range	-18 to -20°C / -0.4 to -4°F			
Refrigerant	R290			
Maximum Ambient Temperature	24°C / 75°F			
Defrosting	Manual			
Temperature Controller	Digital Controller			
Number of Shelves	6		3	
Shelf Material	Metal			ABS
Shelf Capacity	33.1 lbs. / 15 kgs.			
Shelf Dimensions	10.2" x 10.2" 260 x 260mm	17.4" x 15" 442 x 380mm		17.8" x 14.2" 453 x 360mm
		17.8" x 6.7" 453 x 170mm		
Electrical	110-120V / 60Hz / 1			
Interior Dimensions	11" x 12.2" x 49.8" 280 x 310 x 1265mm		17.9" x 15.4" x 26.8" 455 x 390 x 680mm	17.8" x 14.2" x 25.6" 453 x 360 x 650mm
Exterior Dimensions	16.5" x 16.9" x 69.1" 420 x 430 x 1755mm	16.5" x 16.9" x 74.2" 420 x 430 x 1885mm	23.4" x 20.1" x 33.8" 595 x 510 x 859mm	23.4" x 21.5" x 34.3" 595 x 545 x 870mm
Weight	121.3 lbs. / 55 kgs.	143.3 lbs. / 65 kgs.	110.2 lbs. / 50 kgs.	
Item Number	47241	47242	47239	44526

## Installation

### INSTALLATION AND STORAGE

1. Keep the unit vertical when carrying the unit, the angle to the horizontal line should not be over 50°, otherwise it will damage the compressor and affect normal operation of the unit.
2. The unit should be place on a solid and firm ground, take away the bottom pack to lower the shock and noise.
3. Leave at least 20 cm of distance between the back of the unit and the wall for ventilation and leave a space with an open angle of 160° for the door.
4. Keep the unit away from heat sources and avoiding direct sunlight.
5. Never place the unit on a location where water can reach or with high moisture. Splashed water and dirt should be wiped off in time by using a soft cloth.



# Installation

---

6. Do not place the unit in the environment cold enough to be iced.

## BEFORE USE

1. Remove the carton and packing foam (including the bottom foam) before using.
2. Clean the unit before using.
3. Adjust the foot to make the unit steady according to the ground condition to lower the shock and noise.
4. After moving the unit, place the unit for 30 minutes before switching it on.

Running: close the door and connect the power, turn on the lamp switch on the control panel, the lamp is on. Half an hour later, the temperature inside the case lower apparently, it indicates the unit on be normally used.

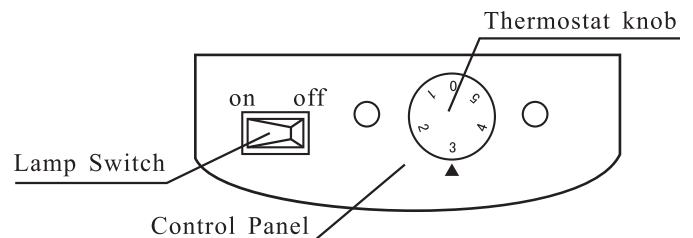
5. After connecting the power, the unit should be kept empty for one hour.

# Operation

---

## SETTING AND ADJUSTING THE TEMPERATURE

1. Adjust the storage temperature through the temperature controller located on the back of the case, adjust the temperature according to the ambient temperature and the foodstuff.
2. See the following picture about the knob scale. The temperature adjustable capacity is from “1”-“5”, adjust the storage temperature by turning the temperature controller clockwise. The higher of the number shows the lower of the storage temperature. The knob can turn freely but can't turn clockwise from “5” to “1”. Factory setting position is on “3”.
3. Check if the scale is on an appropriate position before using, frequent adjustment is not appropriate when using. Normally in summer, the ambient temperature is high, anti clockwise turn the knob to “2”, while in winter, the ambient temperature is low, clockwise turn the knob to “4”.
4. Position “0” represent stop running.



## STORAGE OF PRODUCT

1. Do not put large amount of product into the unit at one time, you should leave some space around the foodstuff to let cold air inside the cabinet counter to flow. Keep bottled articles away from the walls of interior cabinet so as not to freeze it until broken.
2. Do not put warm food into the unit directly until they are cooled under normal temperature, it will facilitate to lower its energy consumption and prolong service life of the compressor.



# Maintenance

## DISCONNECT THE POWER SUPPLY BEFORE MAINTENANCE FOR THE MACHINE!

1. Keep the door gasket clean, remove it from the door and wash it. Dry and seal it as before. Putting some talcum powder on the magnetic surface would prolong its service life.
2. Bulb replacement: remove the lamp shade, take out the bulb, replace with a new bulb, then mount it again.
3. If there is heavy frost on the evaporator after long usage, take out the stuff inside the case, disconnect the power, the frost will melt automatically, clean up the water and connect the power again.
4. Use a soft cloth and dip some water or soap (Non-caustic, neutral detergent is also available) to clean the unit. Dry the unit after cleaning to avoid rust.
5. Do not use organic liquid, boiled water, washing powder or acid stuff to clean the unit. Rinsing the case by water is not allowed, don't use hard brush, steel brush to clean the case.
6. If the unit will not be used for a long time, disconnect the power, clean it by following the above steps, wipe off the water inside the case with a soft cloth.

# Troubleshooting

Problems	Possible Causes	Solutions
The units does not work.	Bad connection of plug.	Re-connect the plug to power supply
Abnormal operation of the compressor or has buzz sound.	The power voltage is out of the rated range.	Disconnect the power supply immediately and reconnect with it after normal voltage. It is necessary to have a voltage stabilizer in case of poor power supply.
Compressor operates too long time and no frost on the surface of inner cabinet.	Refrigeration system is at fault (leakage or blocked).	Send the unit to service department for repair.
There is frost or ice on the walls of the inner cabinet and too low internal temperature, the compressor operates never stop.	Thermostat does not work.	Ask service department for repair.
The internal temperature is too high and the compressor operates never stop.	Bad heat dissipation and ventilation of casing, the ambient temperature is too high.	Improve ventilation and lower the ambient temperature.
	Too much warm food was put in at one time.	Take out some food.
	Door open frequently and long time door opening.	Decrease number and time of door opening.

# Troubleshooting

---

Too high noise.	The unit is not level.	Adjust the adjustable legs.
	The fastener of the unit is loose.	Fasten the loose fastener.
	Pipes are touching the compressor.	Careful separate the touched pipes.
Light is not on.	The light is burned out.	Replace the light.

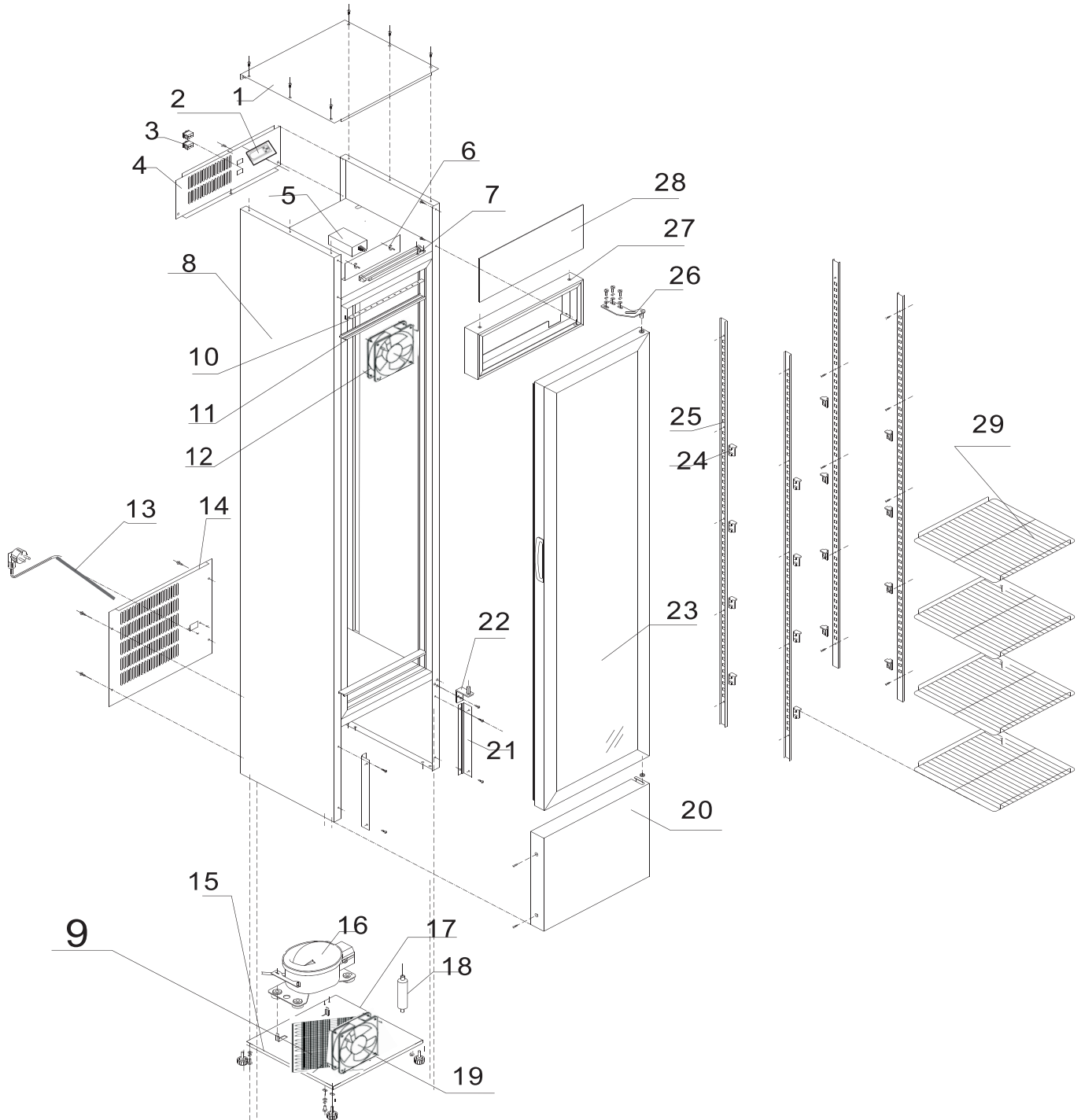
## **NORMAL PHENOMENA**

1. Sometime hear light sound of water flowing in the unit, this is the sound of refrigerant flowing inside the pipe.
2. The top, and the two sides of the casing will be warm, even too hot.
3. In a humidity place, there is dew on the casing or the door, it can dry by dry cloth.

# Parts Breakdown

**Model FR-CN-0105** 47241

**Model FR-CN-0105B** 47242



# Parts Breakdown

## Model FR-CN-0105 47241

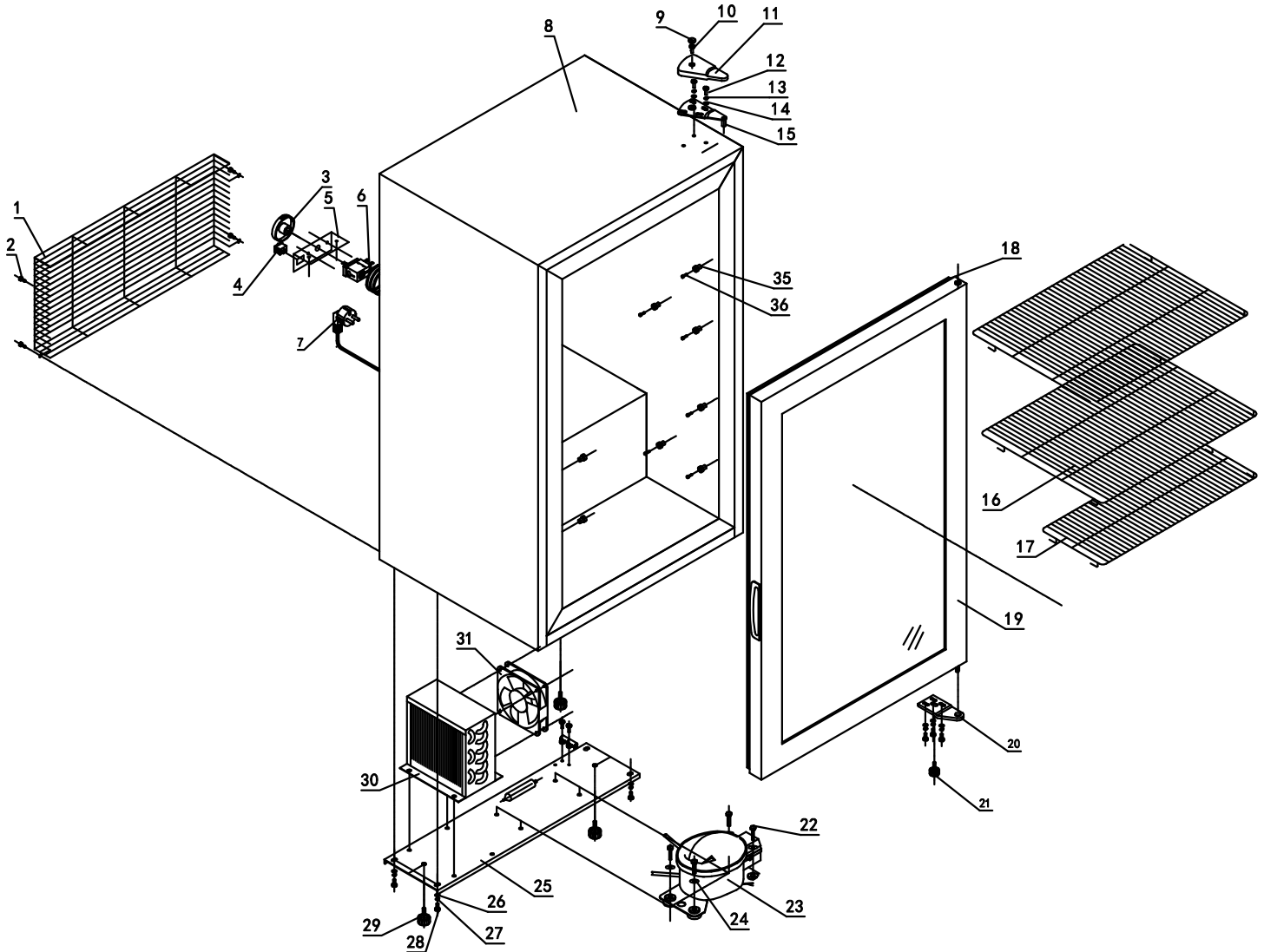
Item No.	Description	Position	Item No.	Description	Position	Item No.	Description	Position
AH263	Top Panel for 47241	1	AH273	Lampshade for 47241	11	AH283	Connector for Front Bottom Panel for 47241	21
AH264	Digital Temperature Controller for 47241	2	AH274	Evaporation Fan for 47241	12	AH284	Hinge Down for 47241	22
AH265	On/Off Button for 47241	3	AH275	Power Line for 47241	13	AH285	Glass Door for 47241	23
AH266	Back Panel for 47241	4	AH276	Seal Plate for Compressor Room for 47241	14	AH286	Shelf Holder for 47241	24
AH267	Transformer for LED for 47241	5	AH277	Base Foot for 47241	15	AH287	Stand Column for 47241	25
AH268	Lamp Holder for 47241	6	AH278	Compressor NUG60LR for 47241	16	AH288	Hinge Upper for 47241	26
AH269	LED Tube for 47241	7	AH279	Bottom Plate for Compressor for 47241	17	AH289	Top Frame for Light Box for 47241	27
AH270	Case for 47241	8	AH280	Filter Drier for 47241	18	AH290	Lamp Plate for 47241	28
AH271	Condenser for 47241	9	AH281	Heat Elimination Fan for 47241	19	AH291	Shelf for 47241	29
AH272	Inner LED Lamp for 47241	10	AH282	Front Bottom Panel for 47241	20			

## Model FR-CN-0105B 47242

Item No.	Description	Position	Item No.	Description	Position	Item No.	Description	Position
AH311	Top Panel for 47242	1	AH321	Lampshade for 47242	11	AH331	Connector for Front Bottom Panel for 47242	21
AH312	Digital Temperature Controller for 47242	2	AH322	Evaporation Fan for 47242	12	AH332	Hinge Down for 47242	22
AH313	On/Off Button for 47242	3	AH323	Power Line for 47242	13	AH333	Glass Door for 47242	23
AH314	Back Panel for 47242	4	AH324	Seal Plate for Compressor Room for 47242	14	AH334	Shelf Holder for 47242	24
AH315	Transformer for LED for 47242	5	AH325	Base Foot for 47242	15	AH335	Stand Column for 47242	25
AH316	Lamp Holder for 47242	6	AH278	Compressor NUG60LR for 47242	16	AH336	Hinge Upper for 47242	26
AH317	LED Tube for 47242	7	AH327	Bottom Plate for Compressor for 47242	17	AH337	Top Frame for Light Box for 47242	27
AH318	Case for 47242	8	AH328	Filter Drier for 47242	18	AH338	Lamp Plate for 47242	28
AH319	Condenser for 47242	9	AH329	Heat Elimination Fan for 47242	19	AH339	Shelf for 47242	29
AH320	Inner LED Lamp for 47242	10	AH330	Front Bottom Panel for 47242	20			

# Parts Breakdown

Model **FR-CN-0098NB** 47239



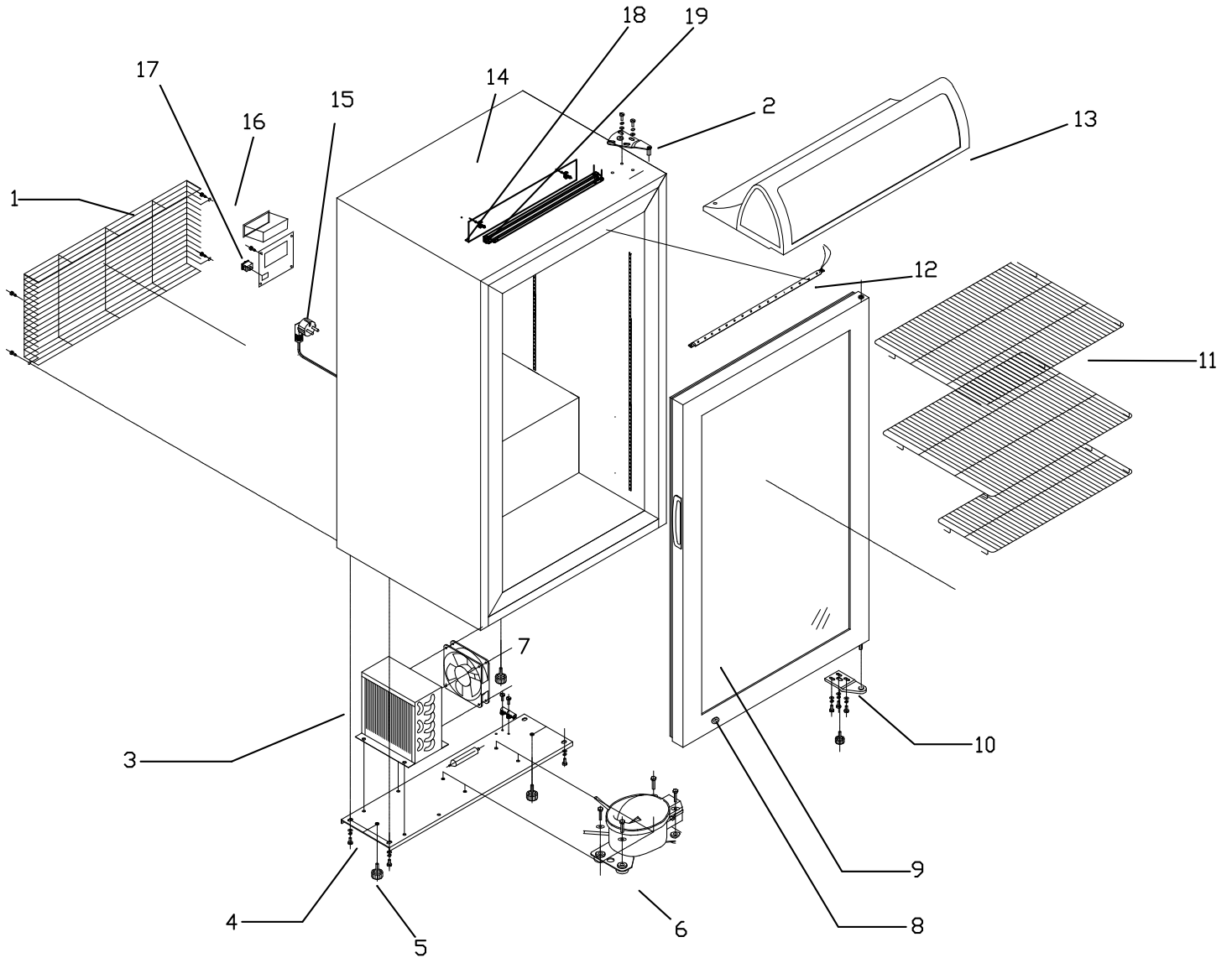
# Parts Breakdown

## Model FR-CN-0098NB 47239

Item No.	Description	Position	Item No.	Description	Position	Item No.	Description	Position
AD668	Mesh Enclosure for 47239	1	AC799	M5 Nut for 47239	12	AH278	Compressor NUG60LR for 47239	23
AC789	Screw for 47239	2	AC800	Gasket for 47239	13	AC811	M6 Nut for 47239	24
AC790	Temperature Control Knob for 47239	3	AC801	Lock Washers for 47239	14	AC812	Floor Presser for 47239	25
AC791	Lamp Switch for 47239	4	AC802	Top Hinge for 47239	15	AC813	M6 Nut for 47239	26
AC792	Temperature Controller Holder for 47239	5	AC803	Big Shelf for 47239	16	AC814	Lock Washers for 47239	27
AC793	Temperature Controller for 47239	6	AC804	Small Shelf for 47239	17	AC815	N6 Nut for 47239	28
AC794	Power Line for 47239	7	AC805	Door Gasket for 47239	18	AC816	Base Angle for 47239	29
AC795	Body for 47239	8	AC806	Glass Door for 47239	19	AC817	Condenser for 47239	30
AC796	Top Hinge Box Buckle for 47239	9	AC807	Hinge for 47239	20	AC818	Draught Fan for 47239	31
AC797	M4 Nut for 47239	10	AC808	Base Angle for 47239	21			
AC798	Top Hinge Box for 47239	11	AC809	M6 Nut for 47239	22			

# Parts Breakdown

Model **FR-CN-0098** 44526





# Parts Breakdown

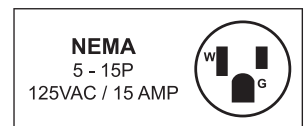
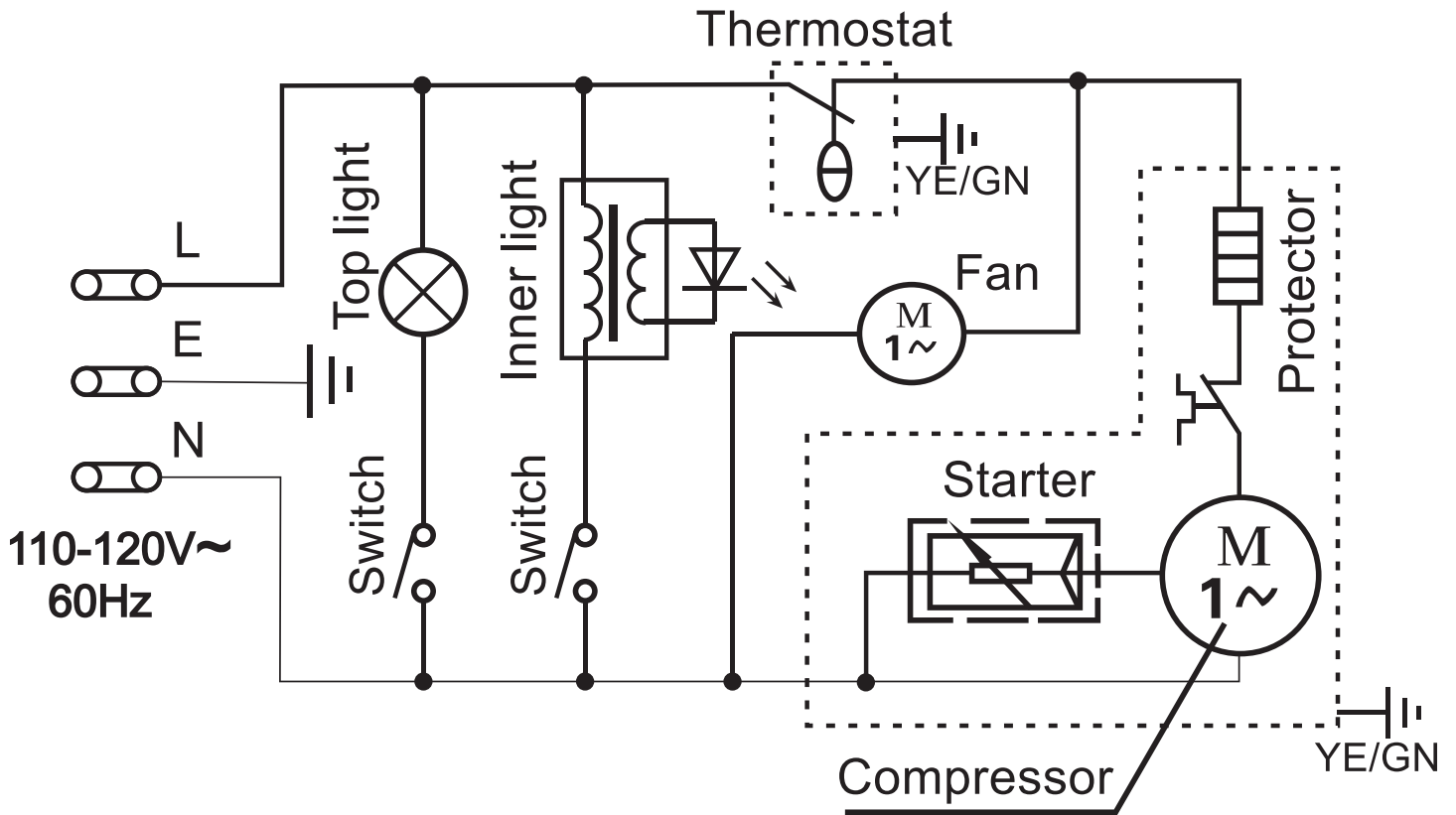
---

## Model FR-CN-0098 44526

Item No.	Description	Position	Item No.	Description	Position	Item No.	Description	Position
AH292	Ventilation Grill for 44526	1	AH299	Lock for 44526	8	AH306	Plug for 44526	15
AH293	Upper Hinge for 44526	2	AH300	Door for 44526	9	AH307	Temperature Control for 44526	16
AH294	Condenser for 44526	3	AH301	Bottom Hinge for 44526	10	AH308	On/Off Switch for 44526	17
AH295	Bottom Panel for 44526	4	AH302	Shelf for 44526	11	AH309	Bracket for Light for 44526	18
AH296	Feet for 44526	5	AH303	Light for 44526	12	AH310	Top Light for 44526	19
AH278	Compressor NUG60LR for 44526	6	AH304	Light Box for 44526	13			
AH298	Fan Motor for 44526	7	AH305	Cabinet for 44526	14			

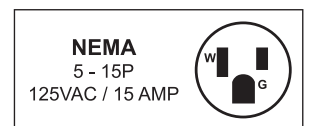
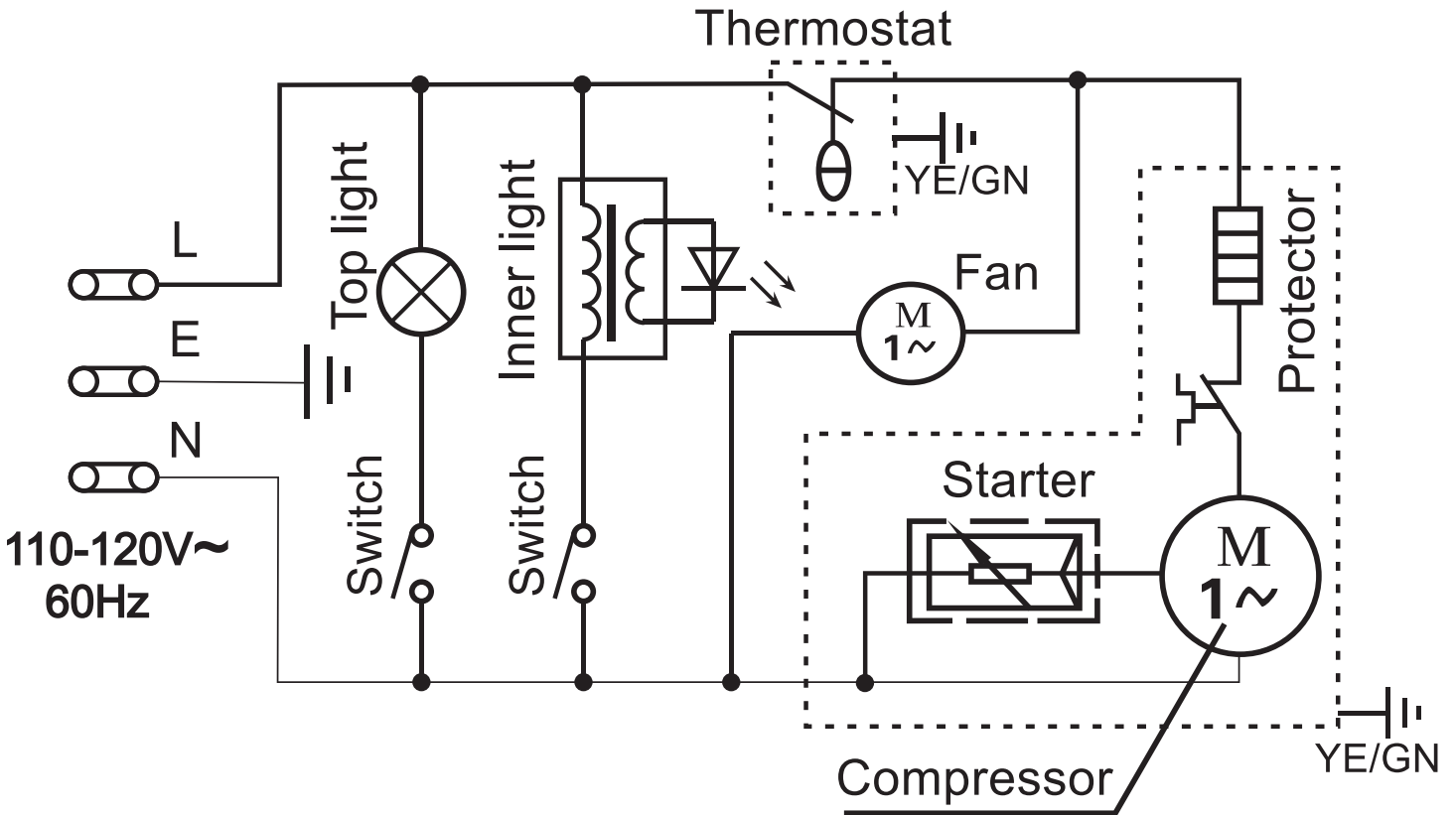
# Electrical Schematics

Model FR-CN-0105 47241



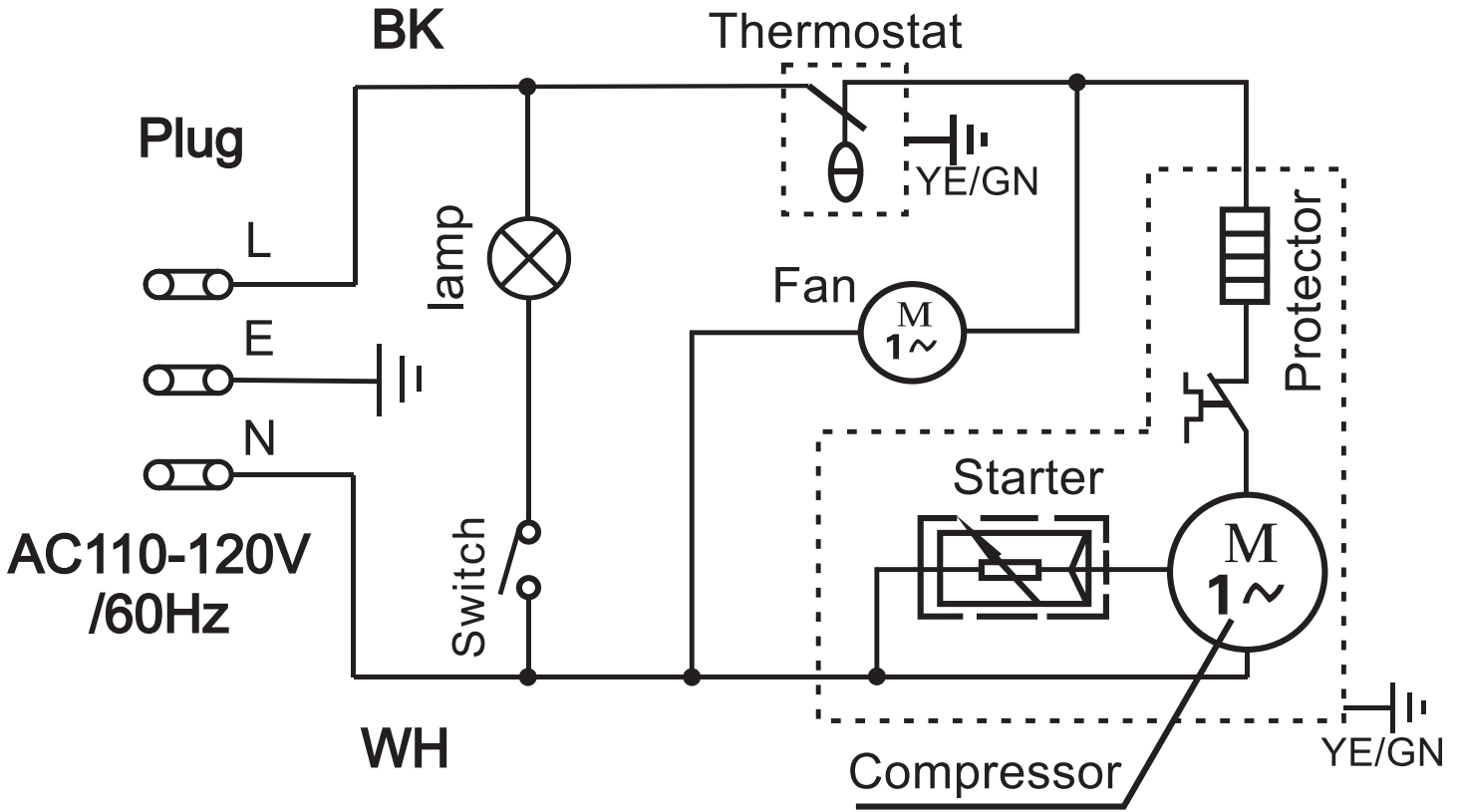
# Electrical Schematics

Model **FR-CN-0105B** 47242



# Electrical Schematics

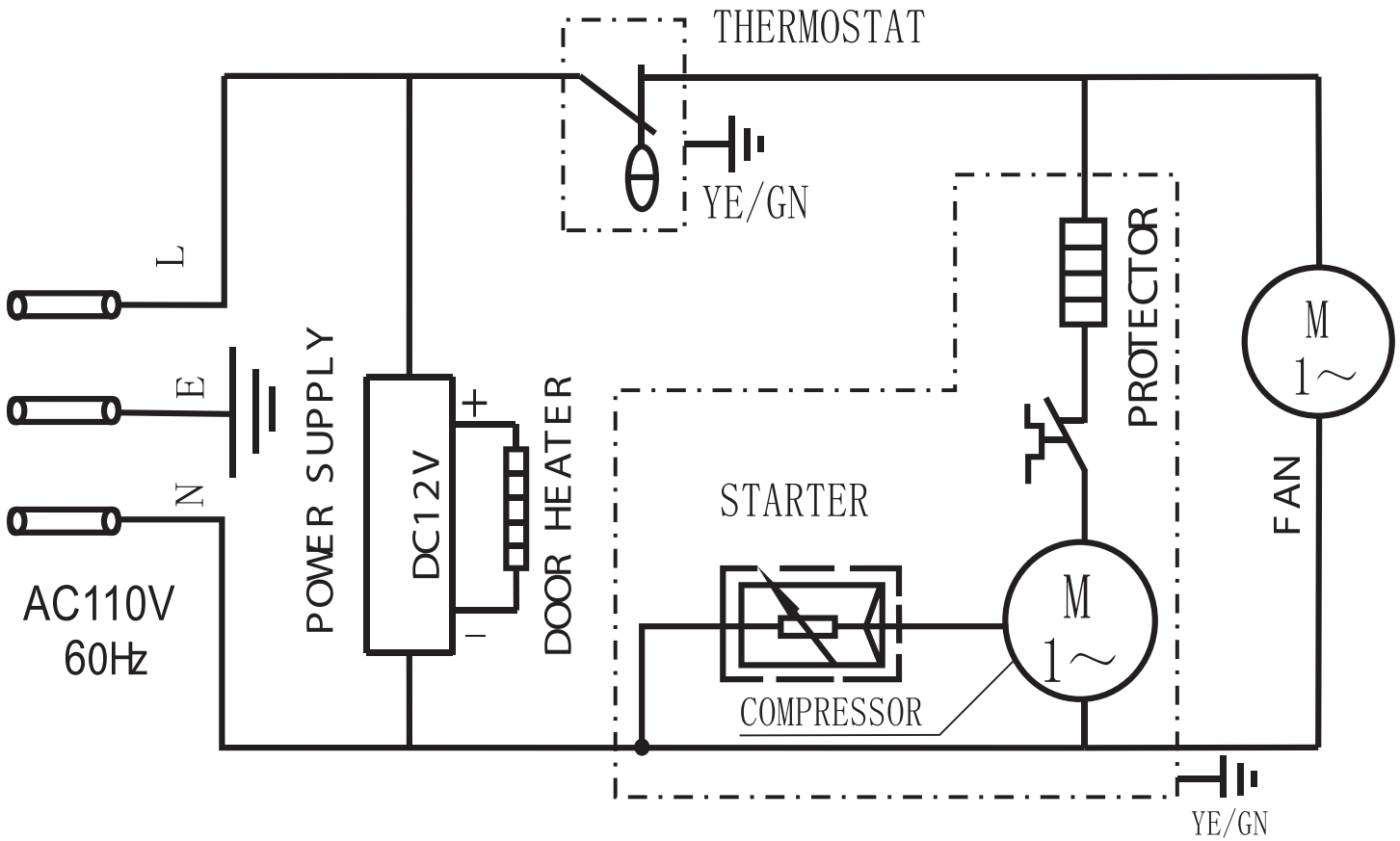
Model **FR-CN-0098NB** 47239



NEMA  
5 - 15P  
125VAC / 15 AMP

# Electrical Schematics

Model FR-CN-0098 44526



NEMA  
5 - 15P  
125VAC / 15 AMP









# Warranty Registration

Thank you for purchasing an Omcan product. To register your warranty for this product, complete the information below, tear off the card at the perforation and then send to the address specified below. You can also register online by visiting:

Merci d'avoir acheté un produit Omcan. Pour enregistrer votre garantie pour ce produit, complétez les informations ci-dessous, détachez la carte au niveau de la perforation, puis l'envoyer à l'adresse spécifiée ci-dessous. Vous pouvez également vous inscrire en ligne en visitant:

Gracias por comprar un producto Omcan usted. Para registrar su garantía para este producto, complete la información a continuación, cortar la tarjeta en la perforación y luego enviarlo a la dirección indicada a continuación. También puede registrarse en línea en:

<https://omcan.com/warranty-registration/>

For mailing in Canada

Pour postale au Canada

Por correo en Canadá

**OMCAN**

PRODUCT WARRANTY REGISTRATION

3115 Pepper Mill Court,

Mississauga, Ontario

Canada, L5L 4X5

For mailing in the US

Pour diffusion aux États-Unis

Por correo en los EE.UU.

**OMCAN**

PRODUCT WARRANTY REGISTRATION

4450 Witmer Industrial Estates, Unit 4,

Niagara Falls, New York

USA, 14305

*or email to: [service@omcan.com](mailto:service@omcan.com)*



Purchaser's Information

Name: \_\_\_\_\_

Address: \_\_\_\_\_

City: \_\_\_\_\_ Province or State: \_\_\_\_\_ Postal or Zip: \_\_\_\_\_

Country: \_\_\_\_\_

Dealer from which Purchased: \_\_\_\_\_

Dealer City: \_\_\_\_\_ Dealer Province or State: \_\_\_\_\_

Invoice: \_\_\_\_\_

Model Name: \_\_\_\_\_ Model Number: \_\_\_\_\_

Machine Description: \_\_\_\_\_

Date of Purchase (MM/DD/YYYY): \_\_\_\_\_

Would you like to extend the warranty?  Yes  No

Company Name: \_\_\_\_\_

Telephone: \_\_\_\_\_

Email Address: \_\_\_\_\_

Type of Company:

Restaurant  Bakery  Deli

Butcher  Supermarket  Caterer

Institution (*specify*): \_\_\_\_\_

Other (*specify*): \_\_\_\_\_

Serial Number: \_\_\_\_\_

Date of Installation (MM/DD/YYYY): \_\_\_\_\_

**Thank you for choosing Omcan | Merci d'avoir choisi Omcan | Gracias por elegir Omcan**



Since 1951 Omcan has grown to become a leading distributor of equipment and supplies to the North American food service industry. Our success over these many years can be attributed to our commitment to strengthen and develop new and existing relationships with our valued customers and manufacturers. Today with partners in North America, Europe, Asia and South America, we continually work to improve and grow the company. We strive to offer customers exceptional value through our qualified local sales and service representatives who provide convenient access to over 6,500 globally sourced products.

---

Depuis 1951 Omcan a grandi pour devenir un des “leaders” de la distribution des équipements et matériel pour l’industrie des services alimentaires en Amérique du Nord. Notre succès au cours de ces nombreuses années peut être attribué à notre engagement à renforcer et à développer de nouvelles et existantes relations avec nos clients et les fabricants de valeur. Aujourd’hui avec des partenaires en Amérique du Nord, Europe, Asie et Amérique du Sud, nous travaillons continuellement à améliorer et développer l’entreprise. Nous nous efforçons d’offrir à nos clients une valeur exceptionnelle grâce à nos ventes locales qualifiées et des représentants de service qui offrent un accès facile à plus de 6500 produits provenant du monde entier.

---

Desde 1951 Omcan ha crecido hasta convertirse en un líder en la distribución de equipos y suministros de alimentos en América del Norte industria de servicios. Nuestro éxito en estos años se puede atribuir a nuestro compromiso de fortalecer y desarrollar nuevas relaciones existentes con nuestros valiosos clientes y fabricantes. Hoy con socios de América del Norte, Europa, Asia y América del Sur, que trabajan continuamente para mejorar y crecer la empresa. Nos esforzamos por ofrecer a nuestros clientes valor excepcional a través de nuestro local de ventas y representantes de los servicios que proporcionan un fácil acceso a más de 6,500 productos con origen a nivel mundial.

